

ANZZI GLASS SHOWER DOOR
INSTALL GUIDE

Models:

SD-AZ11-01

SD-AZ8076-01

Have questions? Call us at 1-844-44-ANZZI
or email at info@anzzi.com.

GETTING STARTED

Notice: This assembly requires two people due to the weight of the glass doors. Professional installers are highly recommended.

1. Carefully inspect all boxes and packages to make sure no damage occurred during shipping. If you find a unit has been damaged, is missing parts, or has finishing defects, contact our customer support department within 5 business days of the delivery date.

Once all boxes and packages are inspected and opened, thoroughly read through this instruction manual. Take time to view the “Detailed Diagram of Shower Door Components” page and mark each piece as you ensure all necessary parts required for assembly are included in the package.

2. Note: Keep in mind that we are not responsible for code compliance standards for your project. Plumbing and building codes differ from one location to another, so it is crucial to review your local building codes before installation to help answer any questions you have about installation compliance standards.

3. For installation in a newly constructed area, be sure to install all required drainage and plumbing before shower installation. Check local code requirements for plumbing installation as some areas require installation by a licensed and experienced plumber.

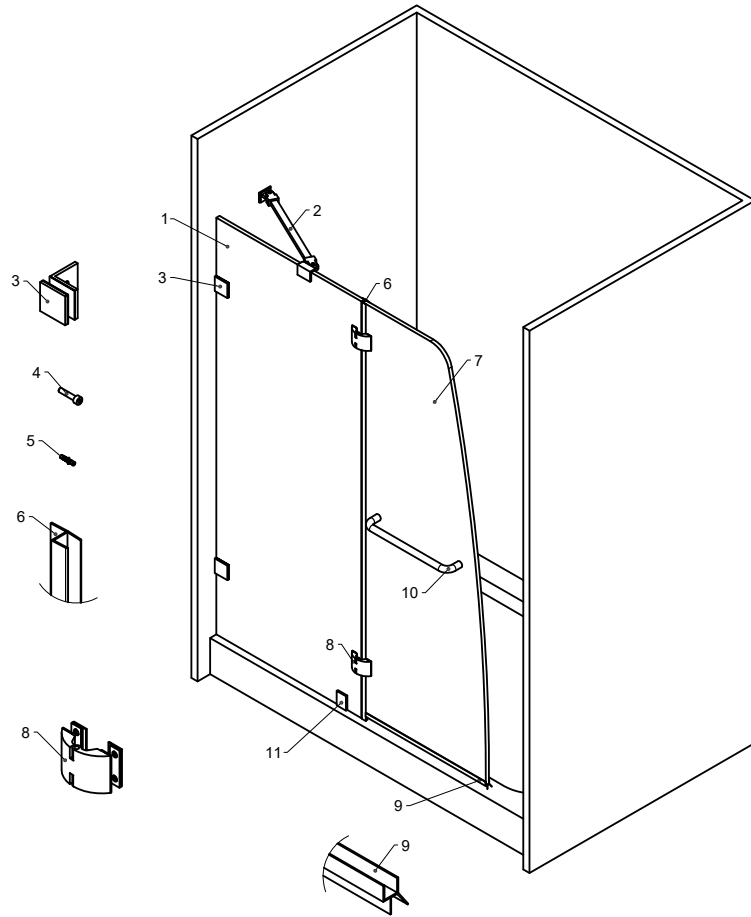
4. Make sure the installation surface area is level, solid, and can support the entire weight of the unit and the walls are plumb before beginning installation. Leveling adjustments and drilling may be necessary depending on the unit being installed.

Major problems may occur if the surface area isn't level, out-of-square conditions exist, and installation is abnormal. It is recommended that all primary surfaces of the unit be protected during installation. Avoid setting the glass directly onto a tile floor.

For best protection practice, use a piece of cardboard or wood to keep the bottom edge and corners of the glass from becoming damaged.

ATTENTION: Use caution when unpacking and inspecting your unit. For easy part identification, refer to the detailed diagram in your manual and lay out each piece accordingly. Do NOT discard cartons and hardware bags until you have thoroughly checked for all parts. Contact us regarding any missing or damaged parts.

NOTE: Keep these instructions for installation to refer to later.



PARTS LIST

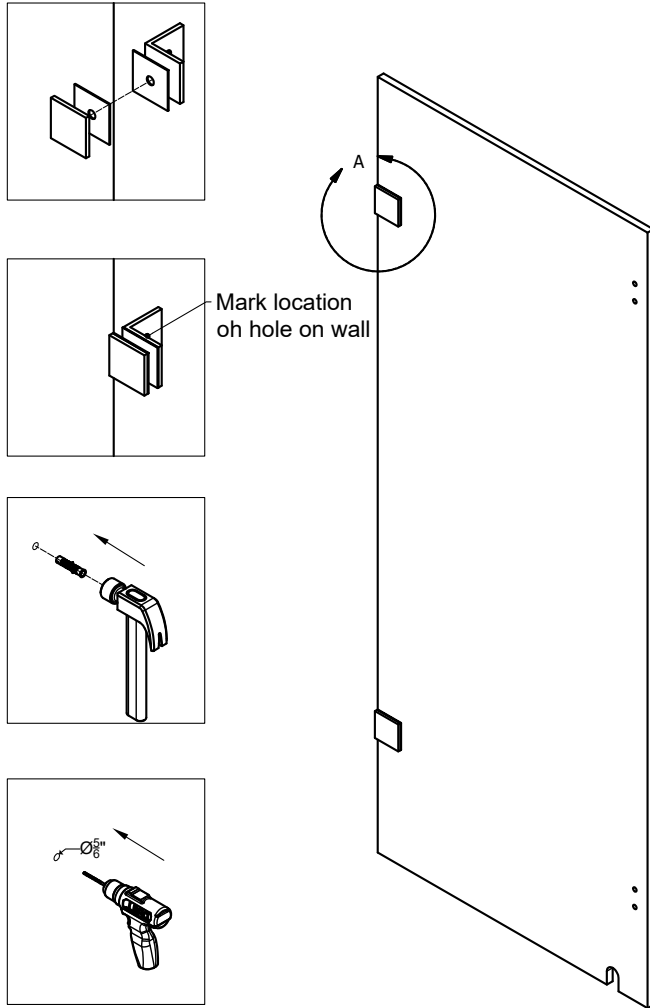
- | | | |
|-----|------|------------------------------|
| 1. | (2x) | Wall bracket |
| 2. | (1x) | Glass panel |
| 3. | (1x) | Bar |
| 4. | (2x) | Hinge |
| 5. | (1x) | Glass door |
| 6. | (1x) | Towel bar |
| 7. | (3x) | Wall bracket |
| 8. | (3x) | Screw ST5x35 |
| 9. | (1x) | Anti-Water strip |
| 10. | (1x) | Bottom anti-water strip |
| 11. | (1x) | Bottom bracket |
| 12. | (1x) | Silicone cleaner |
| 13. | (2x) | Glass bottom protection seal |

TOOLS YOU'LL NEED

Caulk, Tape Measure, Pencil, Phillips Screwdriver

Drill Bits D=5/16" and D=1/8"

Level, Caulking Gun, Electric Drill, Hammer, Miter or Hacksaw



TUB DOOR

1. Affix the Wall Brackets (01) onto the Stationary Glass (02).

NOTE: Installation of the Glass Bottom Protection Seal (13) to protect the glass bottom corner is not necessary if the shower enclosure is installed directly onto the tile floor.

2. Carefully mark drilling holes on the wall through the Wall Bracket (01) holes, then set the Wall Bracket aside in a safe place. Use a $\text{Ø } 5/16''$ drill bit to drill the holes before inserting the Wall Anchors (07). Add silicone caulk around the holes on the wall and the wall profile. Reposition the Wall Bracket into its designated spot and use the Countersunk Screws ST5x35 (08) to secure it to the wall.

3. Measure the length of the shower or tub door size and draw an accurate line on the wall according to the door size. Set the assembled Stationary Glass (02) on the bathtub or shower base and push them against the wall. Use a leveler tool to ensure they are fully level.

ATTENTION: Double check to make sure the Glass Panel is perfectly vertical.

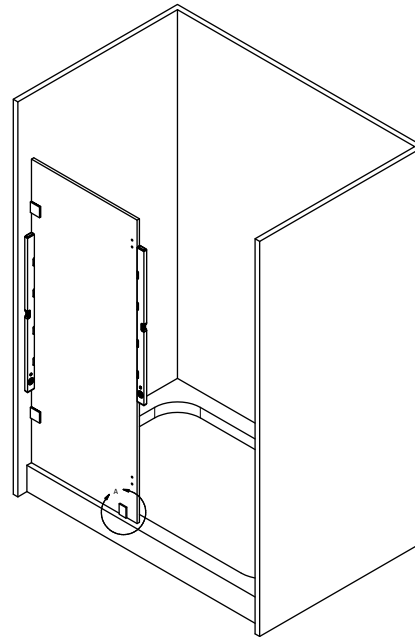
GLASS BRACKETS

4. Disassemble the Bottom Bracket (11). Insert the base of the Bottom Bracket into the notch found on the bottom of the Stationary Glass (02) from the inside. Precisely mark the drill hole on the bathtub, tray, or threshold. Gently remove the glass. Use a $\text{\O} 1/8''$ drill bit to drill the hole and use the Round Head Screw ST5x35 (08) to secure the base of the Bottom Bracket.

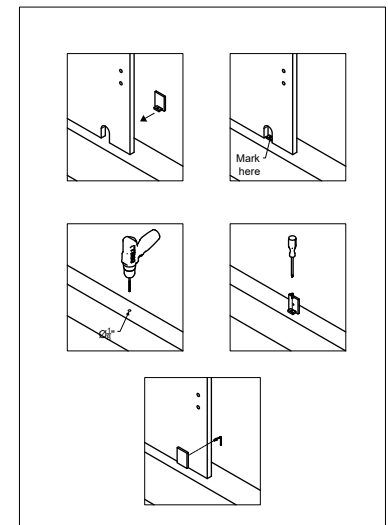
5. Reposition the Stationary Glass (02) back into the Wall Bracket (01). Assemble the Bottom Bracket (11).

Refer to Figure 5 for details.

ATTENTION: To prevent creating a metal to glass connection, use a clear rubber gasket.



DETAIL A



SUPPORT BAR

6. Find the Support Bar (03) then adjust it to a proper angle that will provide adequate support for the glass and wall. Use a leveler tool to level it horizontally. With the Support Bar firmly in place, outline the bracket's position on the wall. Place the Support Bar in a secure position and disassemble the wall brackets. Position the wall bracket against the outline you made on the wall and accurately mark the drilling hole. Use a $\text{\O} 5/16''$ drill bit to drill the hole before inserting the Wall Anchor (07). Use the Countersunk Screw ST5x35 (08) to attach the Support Bar to the wall. See Figure 6.4 for details. Secure the glass by carefully tightening the glass-holding screw and set screws.

ATTENTION: To prevent creating a metal to glass connection, use a clear rubber gasket.

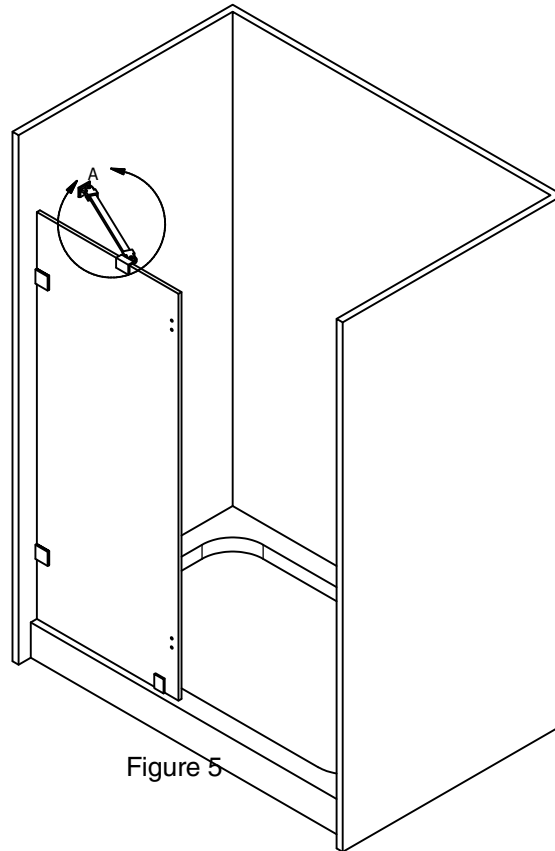
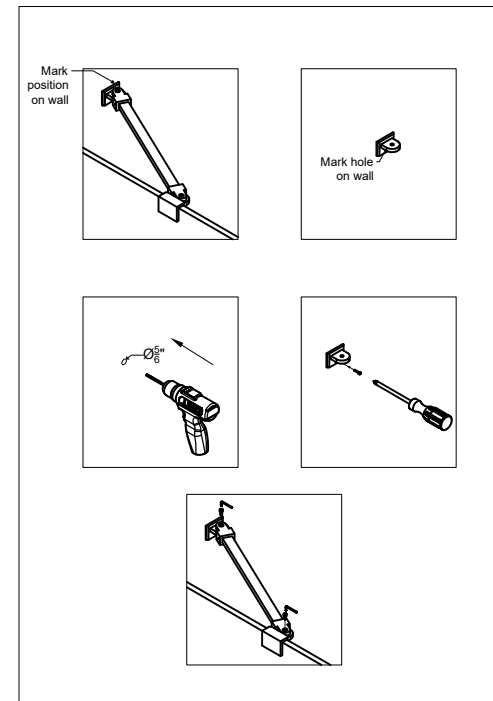


Figure 5

DETAIL A



HINGES

7. This step will require an assistant to ensure safe and proper installation. Attach the Hinges (04) onto the Stationary Glass (02), making sure to keep the decorative non-screw side facing outwards. From the inside, hang the Glass Door (05).

ATTENTION: Hold the glass door in position by using a 5/8" shim below the door while hinges are attached.

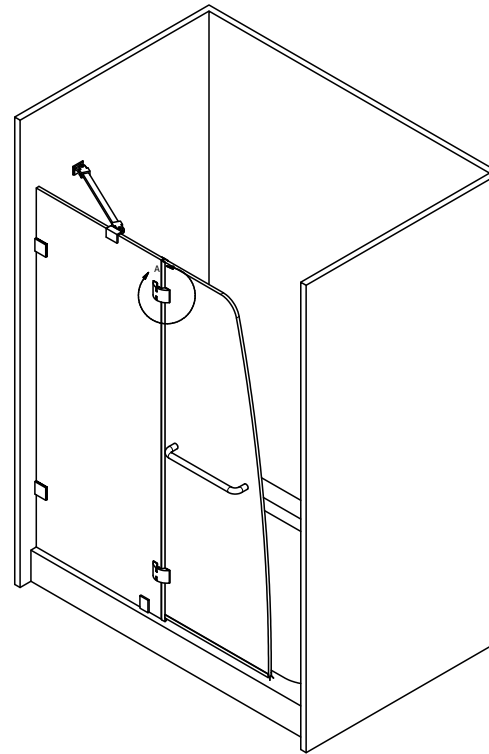
ATTENTION: To prevent creating a metal to glass connection, use a clear rubber gasket.

When hanging the door, begin at the top hinge. Be sure you do NOT lean on, swing, bend, or reposition the Glass Door until all hinges are installed securely. Moving the door could cause the glass to break or the hinges to snap. Once the hinges are properly installed, check the movement of the door by opening and closing it to ensure it moves smoothly. Make any necessary adjustments until the door aligns with the stationary glass.

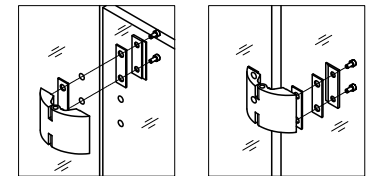
8. Attach the Towel Bar (06) to the Glass Door (05). Install the Anti-Water Strip (09) over the vertical edge of the Glass Door (05) and the Bottom Anti-Water Strip (10) over the bottom edge of the Glass Door.

Refer to Figure 9 for details.

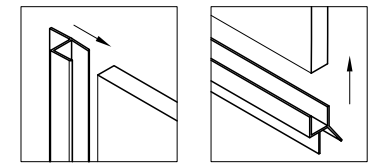
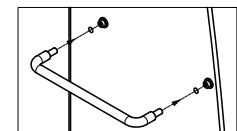
9. Place caulk along the inner and outer side of the bottom and along the stationary glass and wall profile outer edges. Carefully clean the silicone by using the Silicone Cleaner (12) tool.



DETAIL A



Attach Handle



MAINTENANCE

Guarantee a longer life of the hardware finish by wiping off the metal parts with a soft cloth after each use. Avoid using abrasive cleaners and products especially those that contain bleach, acid, or ammonia. In the case that these chemicals are used, thoroughly rinse the surface as soon as possible and wipe dry with a soft cloth. Stainless-steel surfaces should be cleaned once a week or as needed. When applying a stainless-steel polish or cleaner, work with the grain and not against it. Avoid the use of abrasive tools such as wired brushes, abrasive cloths or sponges, or steel wool.

Tempered Glass: Nonabrasive bathroom cleaners and your usual glass cleaner may be used to clean tempered glass. Be sure to thoroughly rinse off any cleaner. Do NOT strike the glass with any hard or sharp object as it could cause immediate damage or cause the glass to eventually break.

Wheel Maintenance: To keep the roller movement smooth, apply a small amount of lubricating oil. Periodically adjust the wheel screw to ensure the moving door slides smoothly and the bearing functions effectively.